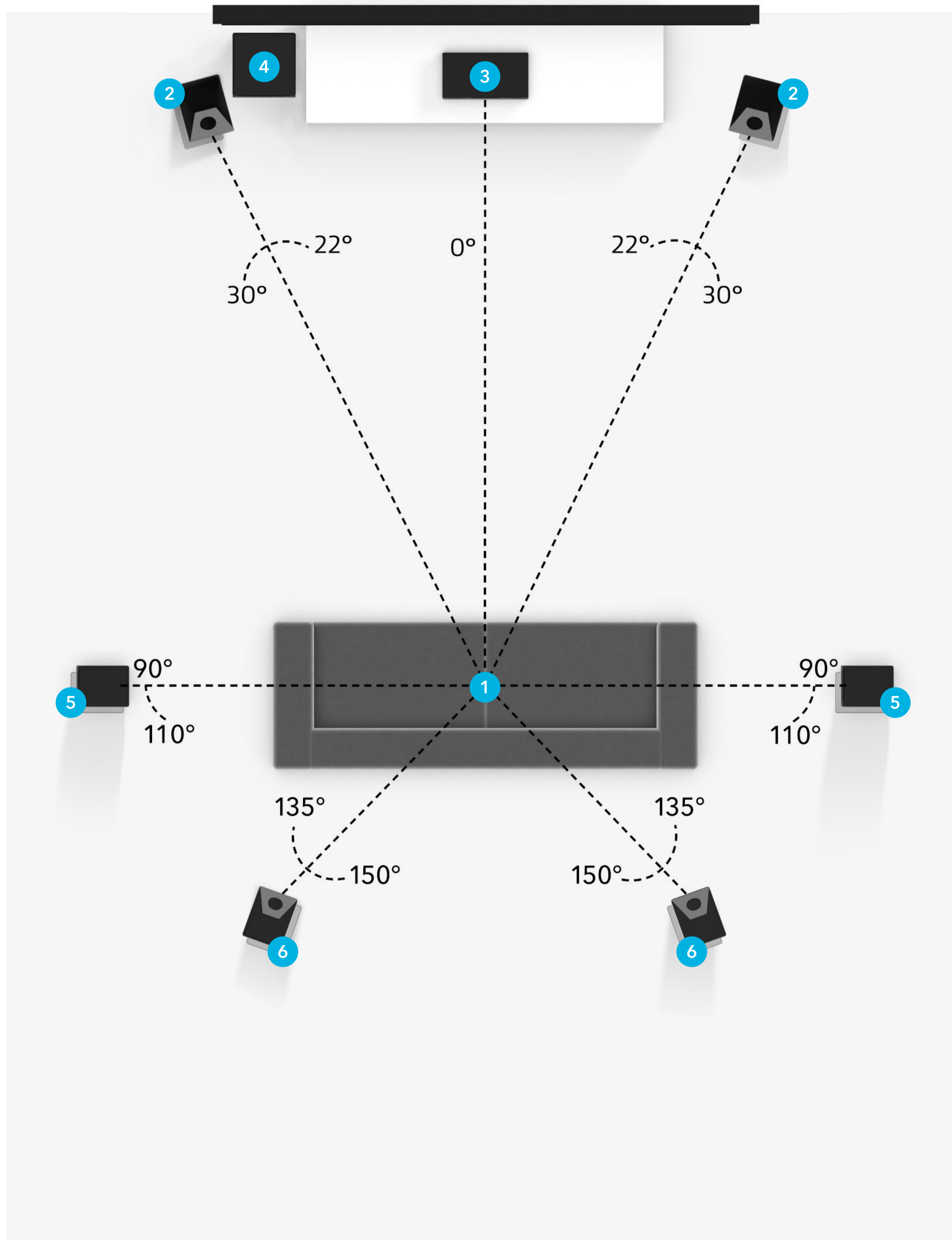




Home Theater Speaker Guide

Optimize your sound system that includes Dolby Atmos® technology with this step-by-step guide to the best speaker setup.



SPEAKER PLACEMENT FOR 7.1.4 SETUP

7.1.4 Dolby Atmos Enabled Speakers

1. Seating position
2. Left & right front Dolby Atmos enabled speakers
3. Center speaker
4. Subwoofer
5. Left & right surround speakers
6. Left & right rear Dolby Atmos enabled surround speakers

Dolby Atmos speaker setups: What do these numbers mean?

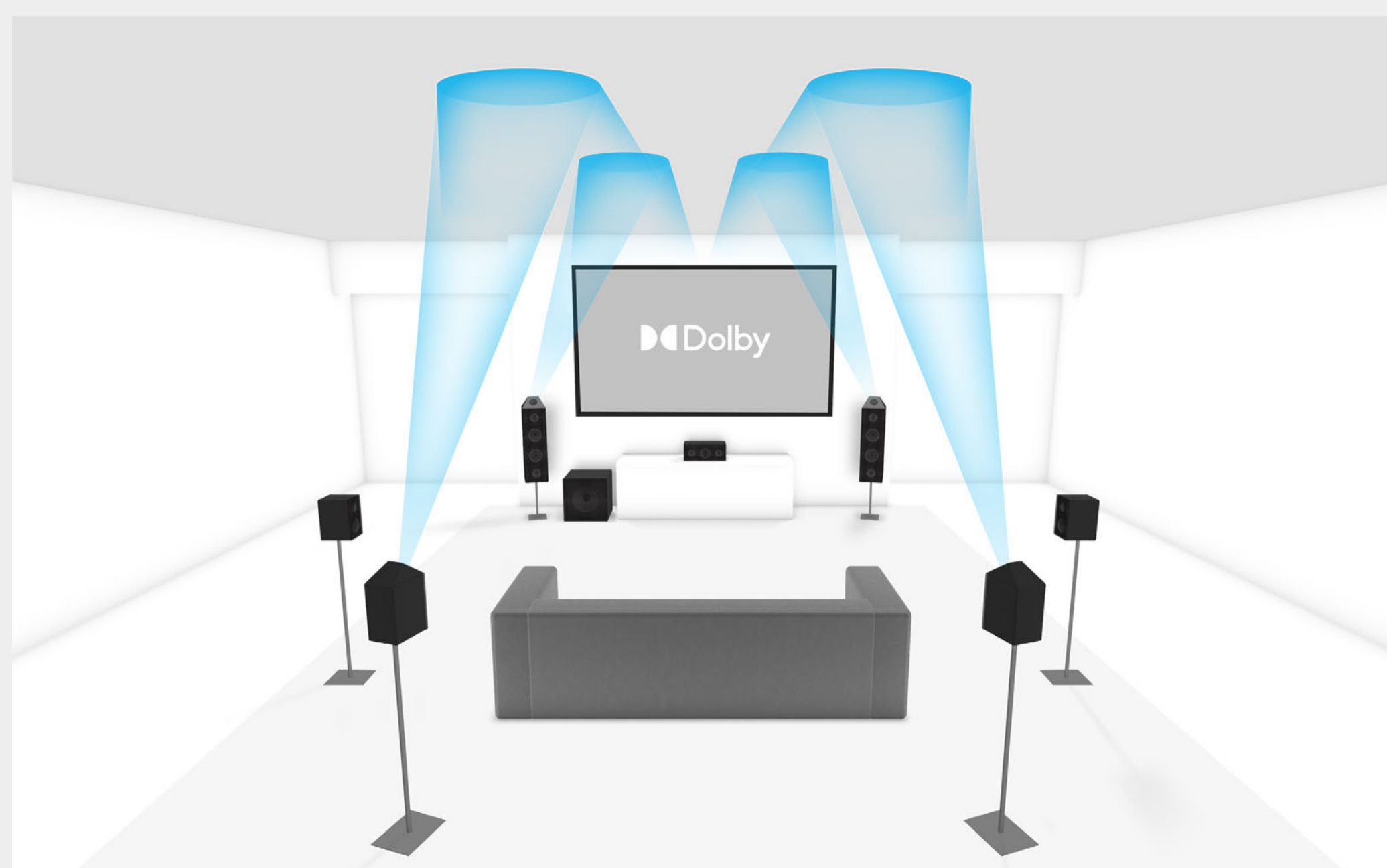
When shopping for Dolby Atmos home theater components, you'll see a new way of describing speaker configurations.

7.1.4

This refers to the number of traditional surround speakers (front, center, surround, etc.)

This number refers to how many powered subwoofers you can connect to your receiver.

This refers to how many overhead or Dolby Atmos enabled speakers you can use in your Dolby Atmos capable setup.



PERSPECTIVE DETAIL FOR 7.1.4 SETUP